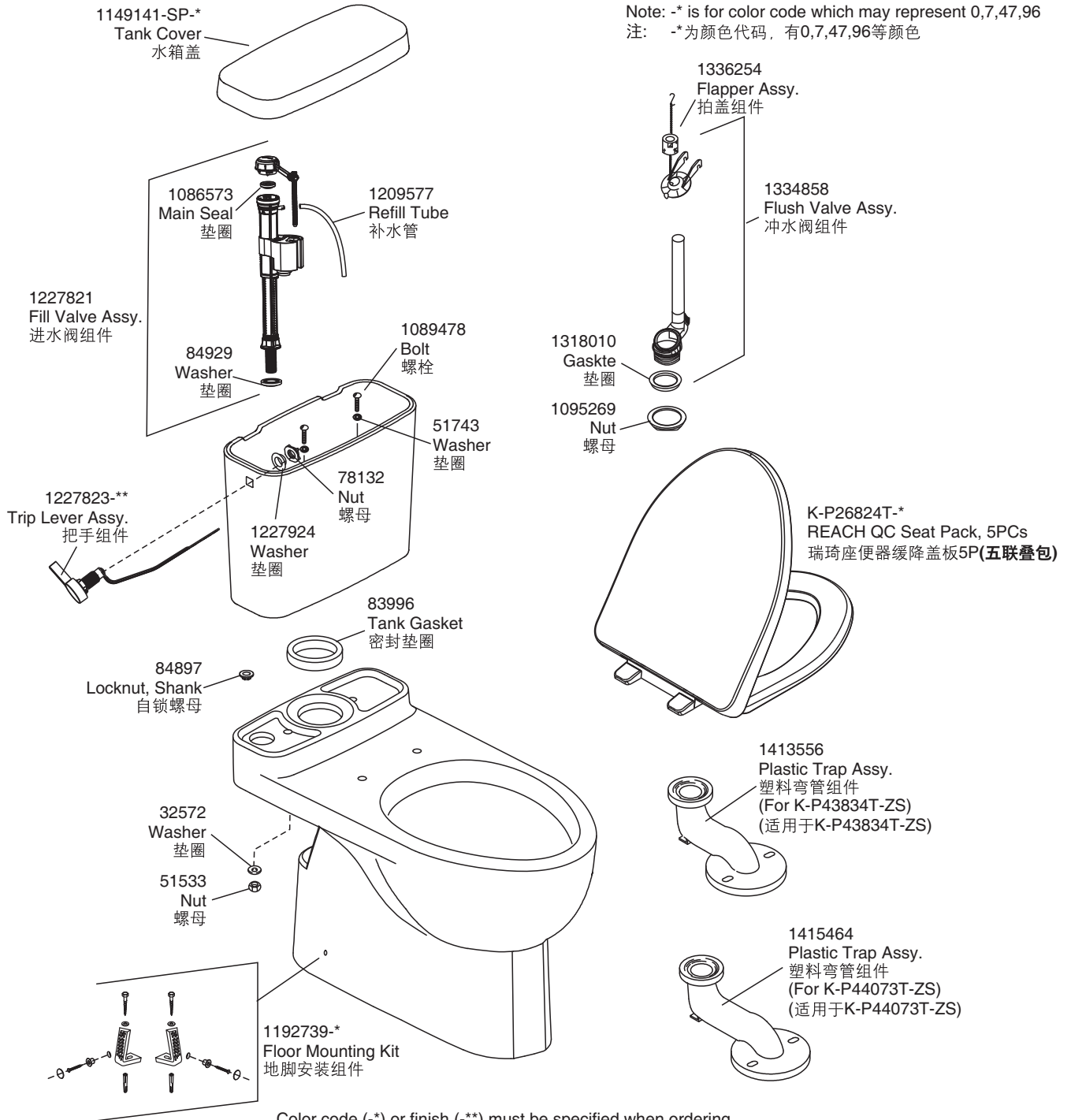


Model 组合型号	K-P43834T-ZS-*	K-P44073T-ZS-*
Spec 规格	305mm	400mm
Tank 水箱	K-P24865T-ST3-*	K-P24865T-ST4-*
Bowl 缸体	K-P3836T-M4-*	K-P4074T-M4-*
Seat 盖板	K-P26824T-*	K-P26824T-*

Note: -* is for color code which may represent 0,7,47,96
注: -*为颜色代码, 有0,7,47,96等颜色



Color code (-*) or finish (-**) must be specified when ordering.

订购时请说明颜色代码(-*)或表面处理(-**)

Please refer to service parts page packed with seat for detailed seat service parts.

盖板的维修零件请详见盖板的维修零件图。